

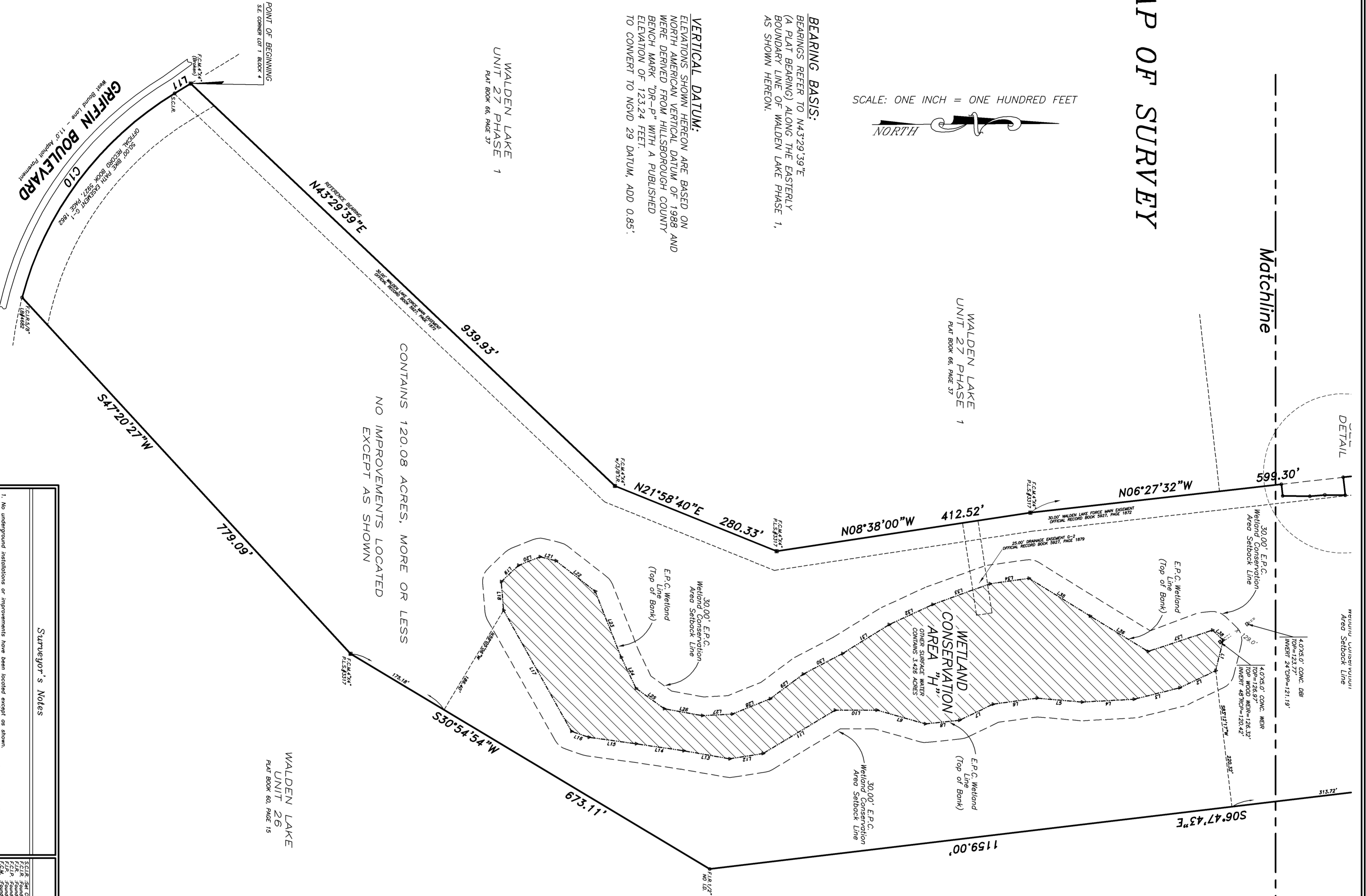
MAP OF SURVEY

SCALE: ONE INCH = ONE HUNDRED FEET



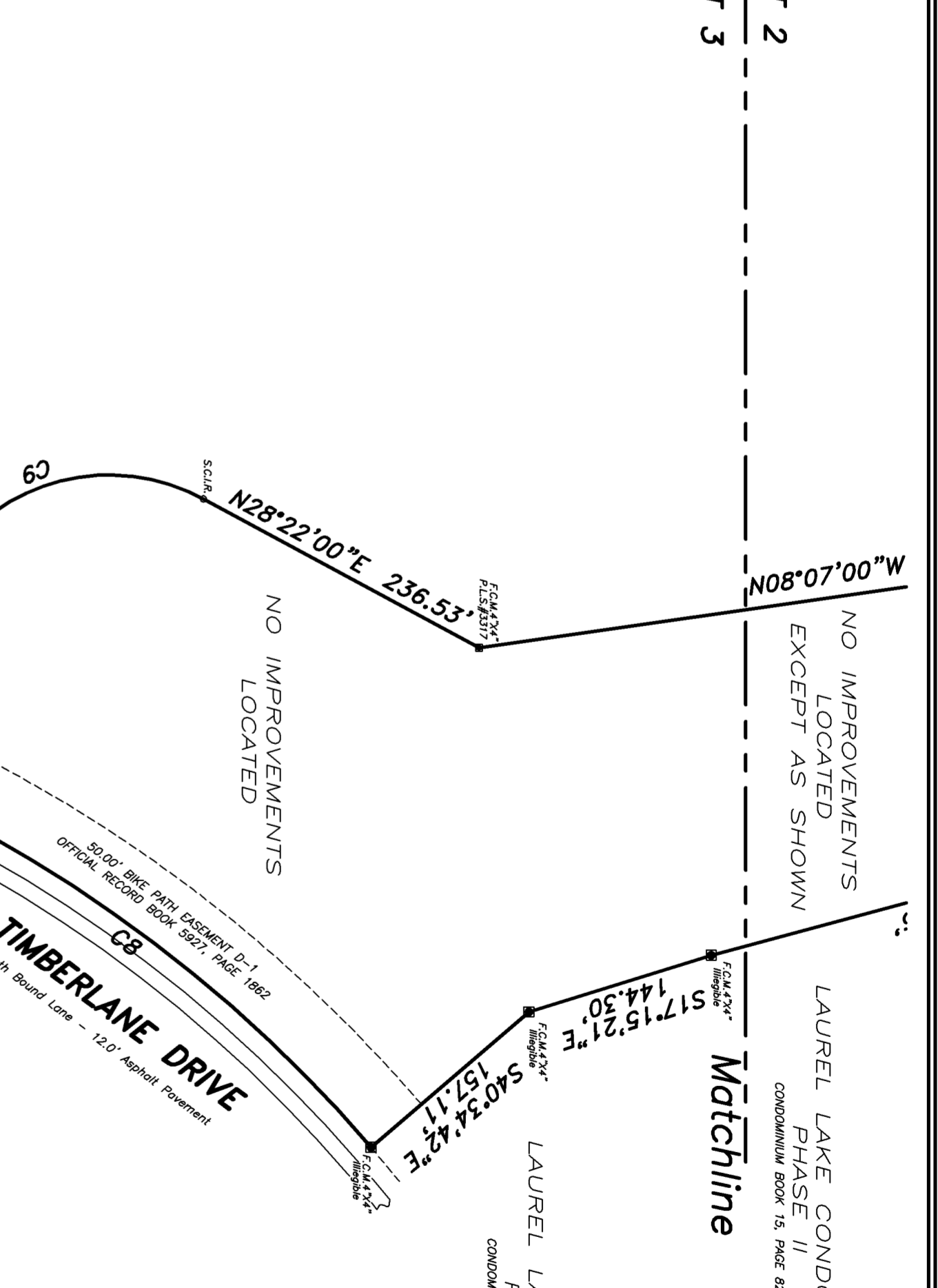
BEARING BASIS:
 BEARINGS REFER TO N4329.39"E
 (A PLAT BEARING) ALONG THE EASTERLY
 BOUNDARY LINE OF WALDEN LAKE PHASE 1,
 AS SHOWN HEREON.

VERTICAL DATUM:
 ELEVATIONS SHOWN HEREON ARE BASED ON
 NORTH AMERICAN VERTICAL DATUM OF 1988
 AND WERE DERIVED FROM HILLSBOROUGH COUNTY
 BENCH MARK "DR-2" WITH A PUBLISHED
 ELEVATION OF 123.24 FEET.
 TO CONVERT TO NAVD 29 DATUM, ADD 0.85'.



CONTAINS 120.08 ACRES, MORE OR LESS
 NO IMPROVEMENTS LOCATED
 EXCEPT AS SHOWN

SHEET 2
 SHEET 3



LINE TABLE

LINE	LENGTH	BEARING
L11	30.31'	N51°23'00"W

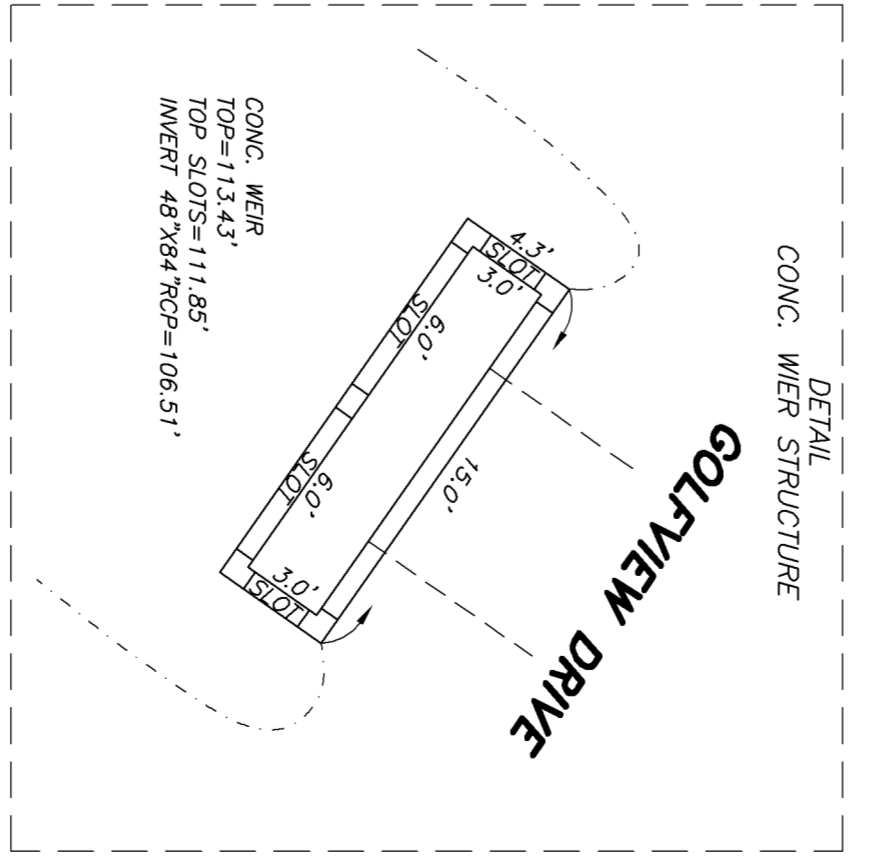
CURVE TABLE

CURVE RADIUS	DELTA	LENGTH	CHORD	CHORD BEARING
C8	1080.00'	26°38'25"	468.21'	463.82'
C9	1080.00'	95°35'57"	230.28'	225.24'
C10	550.00'	45°44'13"	419.84'	408.72'

WETLAND AREA NOTES:
 WETLAND AREA AS SHOWN HEREON WAS FIELD
 STAKED BY JOHN BAILEY OF CARDNO SURTEK,
 FIELD LOCATED BY BROOKS LAND SURVEYING, INC.
 ON 12/22/14.
 SITE FOLIO NUMBER: 203374.0550
 TOTAL AREA OF SITE: 133.31 ACRES
 TOTAL UPLAND AREA ON SITE: 108.15 ACRES
 TOTAL E.P.C. WETLAND AREA ON SITE: 27.16 ACRES
 TOTAL E.P.C. LINE ON SITE: 15,464 LINEAR FEET

E.P.C. LINE TABLE

LINE	LENGTH	BEARING
1	3.42	S63°54'54"W
2	1.72	S75°20'21"W
3	4.62	S83°00'00"W
4	10.00	S83°00'00"W
5	10.00	S83°00'00"W
6	10.00	S83°00'00"W
7	10.00	S83°00'00"W
8	10.00	S83°00'00"W
9	10.00	S83°00'00"W
10	10.00	S83°00'00"W
11	10.00	S83°00'00"W
12	10.00	S83°00'00"W
13	10.00	S83°00'00"W
14	10.00	S83°00'00"W
15	10.00	S83°00'00"W
16	10.00	S83°00'00"W
17	10.00	S83°00'00"W
18	10.00	S83°00'00"W
19	10.00	S83°00'00"W
20	10.00	S83°00'00"W
21	10.00	S83°00'00"W
22	10.00	S83°00'00"W
23	10.00	S83°00'00"W
24	10.00	S83°00'00"W
25	10.00	S83°00'00"W
26	10.00	S83°00'00"W
27	10.00	S83°00'00"W
28	10.00	S83°00'00"W
29	10.00	S83°00'00"W
30	10.00	S83°00'00"W
31	10.00	S83°00'00"W
32	10.00	S83°00'00"W
33	10.00	S83°00'00"W
34	10.00	S83°00'00"W
35	10.00	S83°00'00"W
36	10.00	S83°00'00"W
37	10.00	S83°00'00"W
38	10.00	S83°00'00"W
39	10.00	S83°00'00"W
40	10.00	S83°00'00"W
41	10.00	S83°00'00"W
42	10.00	S83°00'00"W
43	10.00	S83°00'00"W
44	10.00	S83°00'00"W
45	10.00	S83°00'00"W
46	10.00	S83°00'00"W
47	10.00	S83°00'00"W
48	10.00	S83°00'00"W
49	10.00	S83°00'00"W
50	10.00	S83°00'00"W
51	10.00	S83°00'00"W
52	10.00	S83°00'00"W
53	10.00	S83°00'00"W
54	10.00	S83°00'00"W
55	10.00	S83°00'00"W
56	10.00	S83°00'00"W
57	10.00	S83°00'00"W
58	10.00	S83°00'00"W
59	10.00	S83°00'00"W
60	10.00	S83°00'00"W
61	10.00	S83°00'00"W
62	10.00	S83°00'00"W
63	10.00	S83°00'00"W
64	10.00	S83°00'00"W
65	10.00	S83°00'00"W
66	10.00	S83°00'00"W
67	10.00	S83°00'00"W
68	10.00	S83°00'00"W
69	10.00	S83°00'00"W
70	10.00	S83°00'00"W
71	10.00	S83°00'00"W
72	10.00	S83°00'00"W
73	10.00	S83°00'00"W
74	10.00	S83°00'00"W
75	10.00	S83°00'00"W
76	10.00	S83°00'00"W
77	10.00	S83°00'00"W
78	10.00	S83°00'00"W
79	10.00	S83°00'00"W
80	10.00	S83°00'00"W
81	10.00	S83°00'00"W
82	10.00	S83°00'00"W
83	10.00	S83°00'00"W
84	10.00	S83°00'00"W
85	10.00	S83°00'00"W
86	10.00	S83°00'00"W
87	10.00	S83°00'00"W
88	10.00	S83°00'00"W
89	10.00	S83°00'00"W
90	10.00	S83°00'00"W
91	10.00	S83°00'00"W
92	10.00	S83°00'00"W
93	10.00	S83°00'00"W
94	10.00	S83°00'00"W
95	10.00	S83°00'00"W
96	10.00	S83°00'00"W
97	10.00	S83°00'00"W
98	10.00	S83°00'00"W
99	10.00	S83°00'00"W
100	10.00	S83°00'00"W



Surveyor's Notes

- No underground utilities or improvements have been located at this site.
- No improvements of record reflecting easements, rights of way, or other physical characteristics have been located.
- Unless otherwise shown, there is no jurisdictional wetland area or other physical hydrographic features have been identified.
- This survey does not affect nor determine ownership.

General Legend

Point	Iron nail	Survey point
Line	1/8" diameter black iron rod	Survey line
Circle	1/8" diameter black iron rod	Survey point
Triangle	1/8" diameter black iron rod	Survey point
Rectangle	1/8" diameter black iron rod	Survey point
Star	1/8" diameter black iron rod	Survey point
Diamond	1/8" diameter black iron rod	Survey point
Square	1/8" diameter black iron rod	Survey point
Circle with cross	1/8" diameter black iron rod	Survey point
Circle with dot	1/8" diameter black iron rod	Survey point
Circle with X	1/8" diameter black iron rod	Survey point
Circle with triangle	1/8" diameter black iron rod	Survey point
Circle with square	1/8" diameter black iron rod	Survey point
Circle with diamond	1/8" diameter black iron rod	Survey point
Circle with star	1/8" diameter black iron rod	Survey point
Circle with rectangle	1/8" diameter black iron rod	Survey point
Circle with triangle	1/8" diameter black iron rod	Survey point
Circle with square	1/8" diameter black iron rod	Survey point
Circle with diamond	1/8" diameter black iron rod	Survey point
Circle with star	1/8" diameter black iron rod	Survey point
Circle with rectangle	1/8" diameter black iron rod	Survey point

Brooks Land Surveying, Inc.
 115 S. Palmer Street
 North Okla. Bldg. 33533 Phone: (813)242-8820 Fax: (813)719-2594

Brooks Land Surveying, Inc.
 Certificate of Authorization "L.B." #70777
 1/12/13/14 WETLAND DELINEATION AND MISC. UTILITY LOCATION
 SCALE: 1"=100' DATE: JANUARY 28, 2014 DWG. NO. L-1323
VISIONS GOLF, L.L.C.